

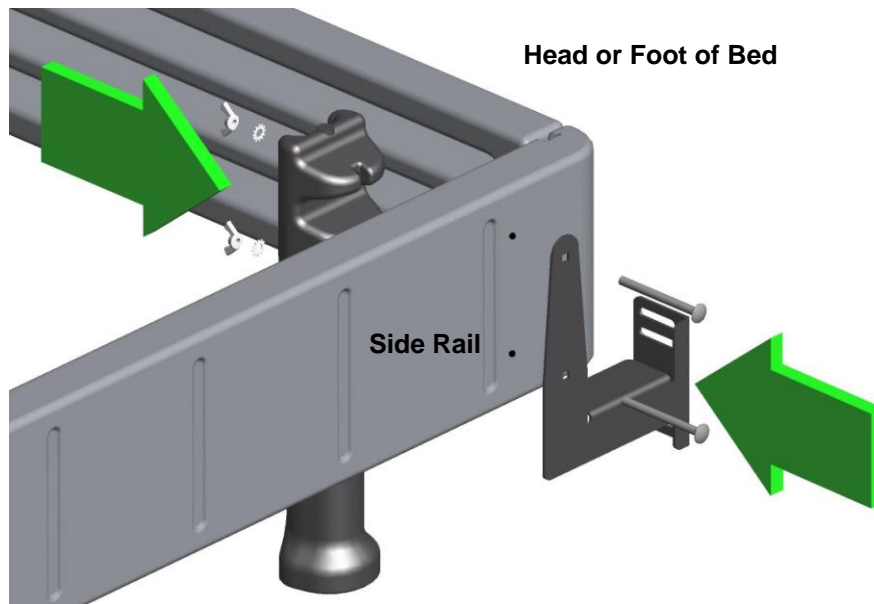
Headboard & Footboard Bracket Assembly Guide

The brackets are used to attach a headboard and/or footboard to the foundation of the SLEEP NUMBER® bed. The brackets are to be installed after **steps 4a and b** of the Foundation Assembly section in the Owner's Manual.

4c

Attach the Brackets

Locate holes in the side rail at the head of the bed. *(For king size beds, brackets will be attached only to the outer edges of each foundation.)*



1. Position bracket and leg as show and align holes.
2. Insert bolt through bracket, side rail, and leg holes. Hand-tighten washer and wing nut. Repeat for other hole and tighten firmly.
3. Repeat for other side of bed, and footboard bracket, if applicable.

4d

Attach the Headboard and/or Footboard

Align slots in bracket with locations on headboard or footboard. Fasten together using bolts from headboard.

Note: With some headboard configurations, the brackets may need to be attached to the headboard first, then to the foundation.

